

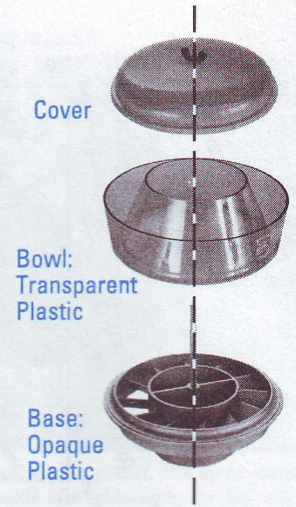
Full-View Pre-Cleaner

Full-View Pre-Cleaner

Helps Extend Filter Life on Agricultural & Construction Equipment

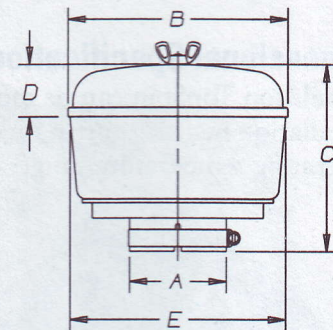
STOP!

Donaldson has a new pre-cleaner called TopSpin. Before you consider replacing your full-view pre-cleaner with another one, check out the TopSpin models on the previous two pages.



Features

- Recommended mounting: on top of the engine intake stack
- Centrifugal force in bowl separates up to 75% of incoming dust before it enters the engine air intake system
- Low maintenance!
- Durable, lightweight, noncorrosive construction
- Full-view plastic bowl lets operator easily see when service is needed
- One-bolt cover retention for service when dirt reaches the level of the arrow, remove top nut and plastic body then empty – no tools required
- Mounting clamp included



Full-View Pre-Cleaner	TopSpin Pre-Cleaner
H000820	H002425
H000821	H002426
H000858	H002394
H000823	H002427
H001250	H002435
H001251	H002436
H001249	H002437
H001823	H002434
H002043	H002433
H002044	H002432
H002045	H002431
H002223	H002438
H002224	H002439

Full-View Pre-Cleaners Specifications

Inlet (ID/OD)		--- B ---		--- C ---		--- D ---		--- E ---		Weight		Entire F.V. Pre-Cleaner	Replacement Cover	Replacement Bowl	Max. airflow CFM
in	mm	in	mm	in	mm	in	mm	in	mm	lbs	kg				
1.75	44	5.59	142	4.75	121	1.72	44	5.50	140	1.8	0.8	H002042	P020116	P020115	80
2.00	51	5.59	142	4.75	121	1.72	44	5.50	140	1.5	0.7	H002040	P020116	P020115	90
2.00 ¹	51	7.34	186	6.19	157	1.72	44	7.25	184	1.7	0.8	H001823	P020648	P020227	110
2.25	57	7.34	186	6.19	157	1.72	44	7.25	184	1.7	0.8	H001250	P020648	P020227	130
2.50	64	7.34	186	6.19	157	1.72	44	7.25	184	1.7	0.8	H001251	P020648	P020227	150
3.00	76	7.34	186	6.19	157	1.72	44	7.25	184	1.6	0.7	H001249	P020648	P020227	170
3.00 ¹	76	10.63	270	7.66	195	1.84	47	10.50	267	4.9	2.2	H000820	P016548	P016330	320
3.75	95	10.63	270	7.66	195	1.84	47	10.50	267	4.9	2.2	H000821	P016548	P016330	330
4.00	102	10.63	270	7.66	195	1.84	47	10.50	267	4.9	2.2	H000858	P016548	P016330	340
4.00 ¹	102	12.06	306	8.19	208	2.00	51	11.94	303	6.4	2.9	H002045	P020345	P020344	660
4.50	114	10.63	270	7.66	195	1.84	47	10.50	267	4.8	2.2	H000823	P016548	P016330	340
4.50 ¹	114	12.06	306	8.19	208	2.00	51	11.94	303	6.3	2.9	H002044	P020345	P020344	700
5.00	127	12.06	306	7.69	195	2.00	51	11.94	303	6.2	2.9	H002043	P020345	P020344	740
6.00	152	16.25	413	10.00	254	2.81	71	15.94	405	13.4	6.1	H002223	P104691	P158324	1300
7.00	178	16.25	413	10.00	254	2.81	71	15.94	405	13.4	6.1	H002224	P104691	P158324	1500

1 - Heavy Duty Option