

FKB Two-stage Air Cleaners



The FKB family is ideal for light- to medium-duty diesel engine trucks, agriculture, construction, mining and industrial engine applications.

The FKB is smaller, lighter and easier to install and it effectively reduces contaminants, providing a high level of engine protection.

Donaldson®

FKB Air Cleaners are Smaller in Diameter

compared to Competitive Brands

....with similar airflow ratings



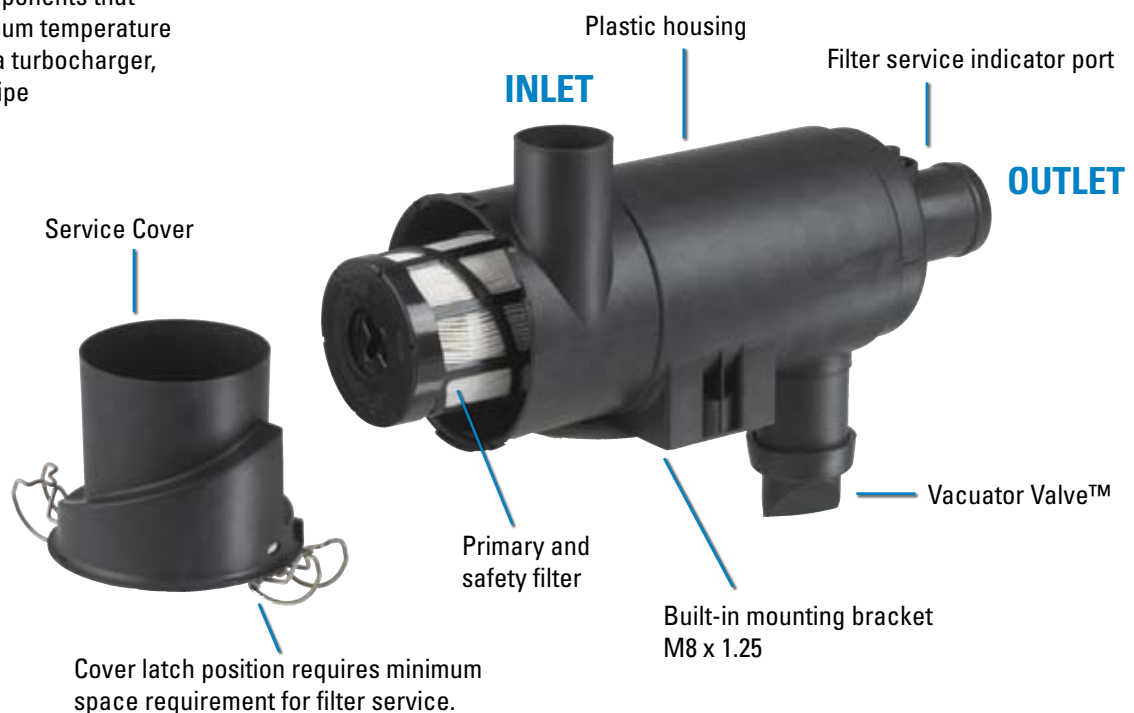
FKB Application Guidelines and Features

Application

- Off-road equipment operating in medium-dust conditions with engine airflow range of 70 to 360 cfm (2 to 10.3 m³/min)
- Installs horizontally. Mounting the air cleaner directly to the engine is not recommended; excessive engine vibration can cause premature air cleaner structural failure
- Sustained temperature tolerance: -40° to 180°F / -40° to 82°C. Do not install next to components that exceed the maximum temperature (180°F/82°C); like a turbocharger, muffler, exhaust pipe

Features

- Smaller in diameter compared to competitive brands with similar airflow
- Improved handling and maintenance: lighter and smaller, changing filters is a snap
- Product design includes:
 - primary filter
 - safety filter
 - filter service indicator port
- Improved filter disposal ease: no metal
- Cover latch position allows for minimum service clearance and eases filter service
- Mounting brackets built-in to air cleaner body eliminating need for mounting bands



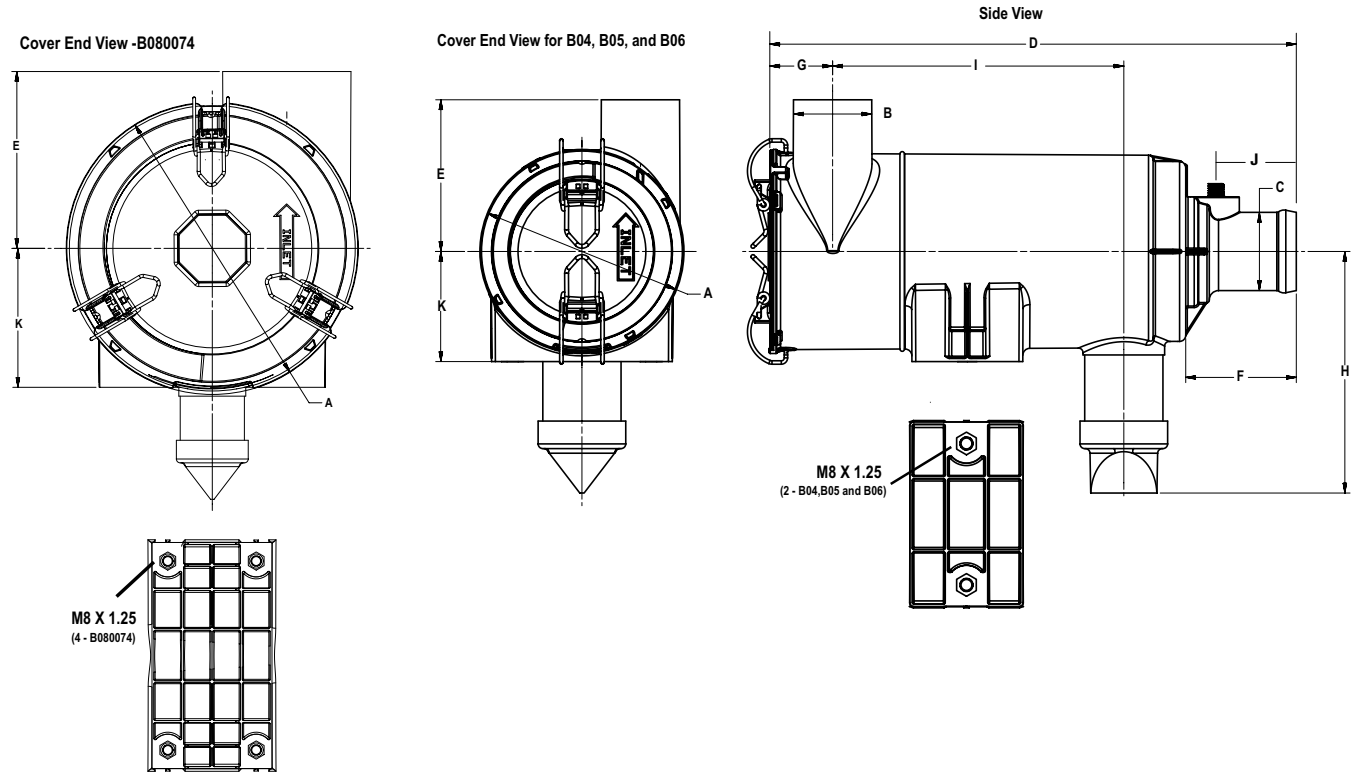
FKB Specifications

When spec'ing an Air Cleaner . . .

Determine the airflow requirements of your engine, then find the corresponding cfm airflow in the table at right. The restriction numbers (shown in inches of water) indicate the approximate initial restriction of each model air cleaner at that cfm. If there are two air cleaner models that fit your parameters, choosing the one with the lowest restriction will provide longest filter service life. When calculating total initial restriction of the entire air intake system, include the restriction caused by ducting, elbows, pre-cleaners, etc.

Initial Airflow Restriction

6" H ₂ O	CFM	8" H ₂ O	10" H ₂ O	Air Cleaner Model
70	84	95		B045008
116	137	154		B055006
155	185	207		B065045
265	315	360		B080074



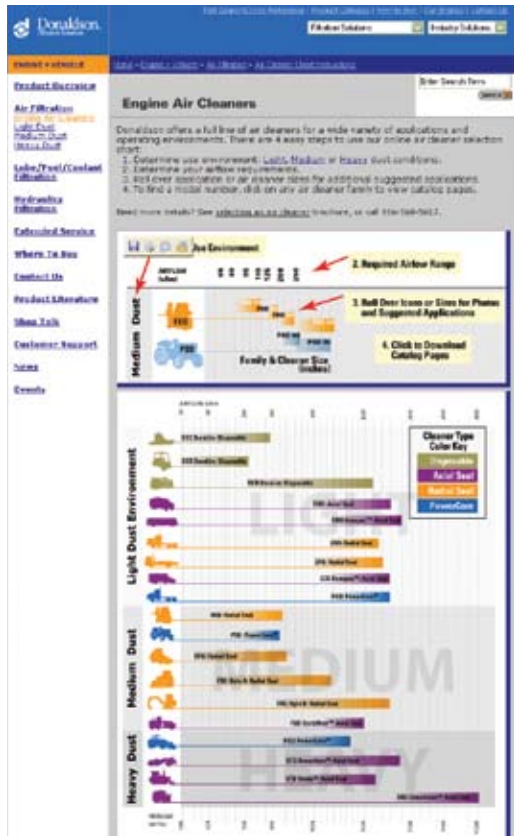
Air Cleaner Models	Body Dia. (A)	Inlet Dia. (B)	Outlet Dia. (C)	Housing Length (D)	Inlet Height (E)	Outlet Length (F)	Inlet Location (G)	Center Line to Valve (H)	Service Clear. (I)	Weight	Restr. Tap Loc. (J)	Mounting Bracket Height (K)
B045008	5.22"	2.00"	2.00"	13.46"	3.88"	2.83"	1.60"	6.18"	7.44"	2.1 lb	2.02"	2.82"
	133mm	51mm	51mm	342mm	99mm	72mm	41mm	157mm	189mm	1.0 kg	52mm	72mm
B055006	5.97"	2.50"	2.50"	15.89"	3.88"	2.88"	1.93"	6.18"	9.61"	3.2 lb	2.05"	3.03"
	152mm	64mm	64mm	404mm	99mm	73mm	49mm	157mm	244mm	1.4 kg	52mm	77mm
B065045	7.09"	3.00"	3.00"	16.06"	4.72"	2.87"	2.07"	7.41"	9.50"	3.7 lb	2.05"	3.54"
	180mm	76mm	76mm	408mm	120mm	73mm	53mm	188mm	241mm	1.7 kg	52mm	90mm
B080074	8.95"	4.00"	4.00"	16.75"	5.50"	2.40"	2.68"	7.78"	14.76"	5.52 lb	1.57"	4.33"
	227mm	102mm	102mm	425mm	140mm	61mm	68mm	198mm	375mm	2.5 kg	40mm	110mm

The FKB is just one of many air cleaner models that Donaldson offers for diesel-powered equipment intake systems. To view more air cleaner styles and options, please visit our web site at www.donaldson.com/en/engine/air/chart.html. The selection guide includes styles for light, medium and heavy-

dust operating conditions. All models featured in the guide are stock products, except for the PCD line.

Whether you're looking for the latest filtration technologies or a replacement to an existing model, Donaldson has what you need.

For unique or custom intake systems, please contact Donaldson or your nearest Donaldson distributor.



Donaldson®

Donaldson Company, Inc.
Minneapolis, MN
55440-1299

www.donaldson.com

Brochure No. F111155 (7/06)

© 2006 Donaldson Company, Inc.
Printed in the U.S.A.
Donaldson Company, Inc. reserves the right to change or discontinue any model or specification at any time and without notice.

North & South America
800-374-1374

Europe & Middle East
32-16-38-3811

Asia Pacific
65-6311-7373

South Africa
27-11-389-8800

Australia
612-4350-2033